



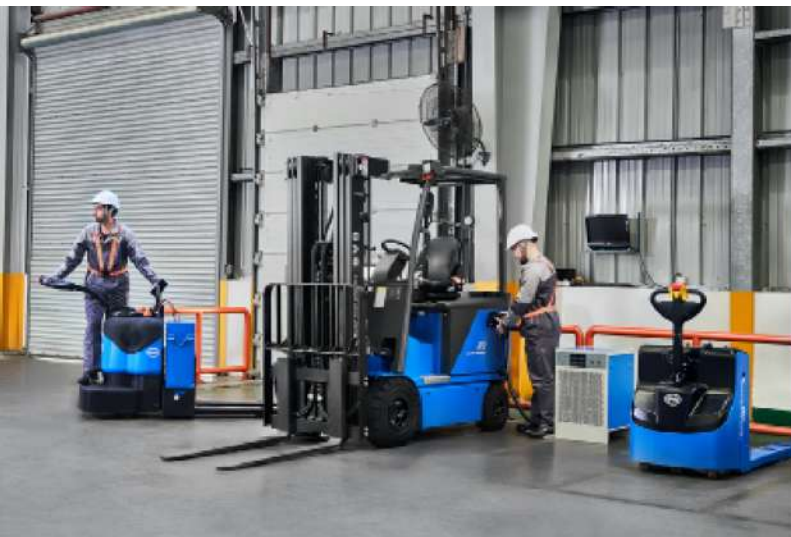
*THE OFFICIAL SPONSOR OF MOTHER NATURE™*



Jason Yan – Director of Sales Operations

[Jason.yan@byd.com](mailto:Jason.yan@byd.com) • (213)-519-8087

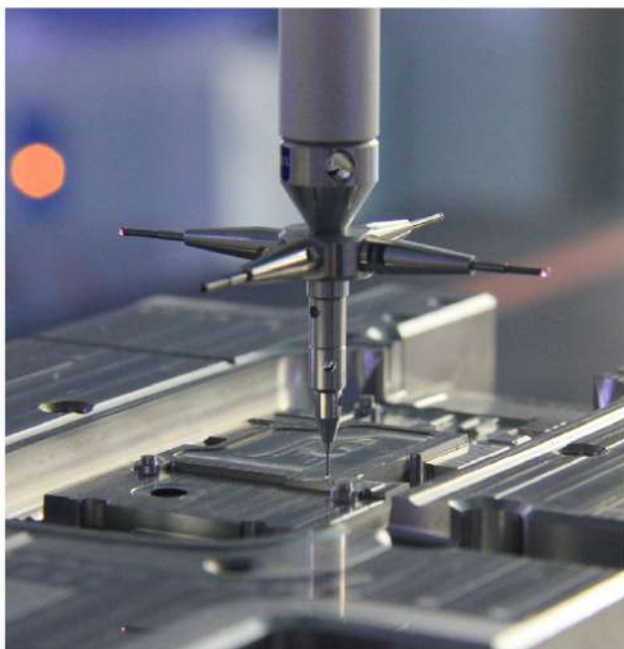




**PASSENGER VEHICLES**



**ENERGY SOLUTIONS**



**ELECTRONICS**



**SKYRAIL & SKYSHUTTLE**



## 250,000 Employees Globally

- 30 Industrial Campuses on 5 Continents



## BYD's Lancaster, California Manufacturing Facility Spans 550,000 Square Feet

- Over 850 local workers employed



## Global leader in Electric Buses

- BYD has delivered over 55,000 electric buses worldwide



## World's Top Electric Vehicle Producer

- BYD has been the world's #1 producer of electric passenger and commercial vehicles for the last 4 years



## 2020 BYD Market Value: \$68.3 Billion

- 15.4% compounded annual revenue growth over 11 years



## ISO 9001 Certified QMS

- BYD's Lancaster, California manufacturing facility meets the industry's highest standards



Buses manufactured at BYD's Lancaster, California facility exceed Buy America standards, using more than 70% U.S. content.



More than 775 Union  
Manufacturing Jobs



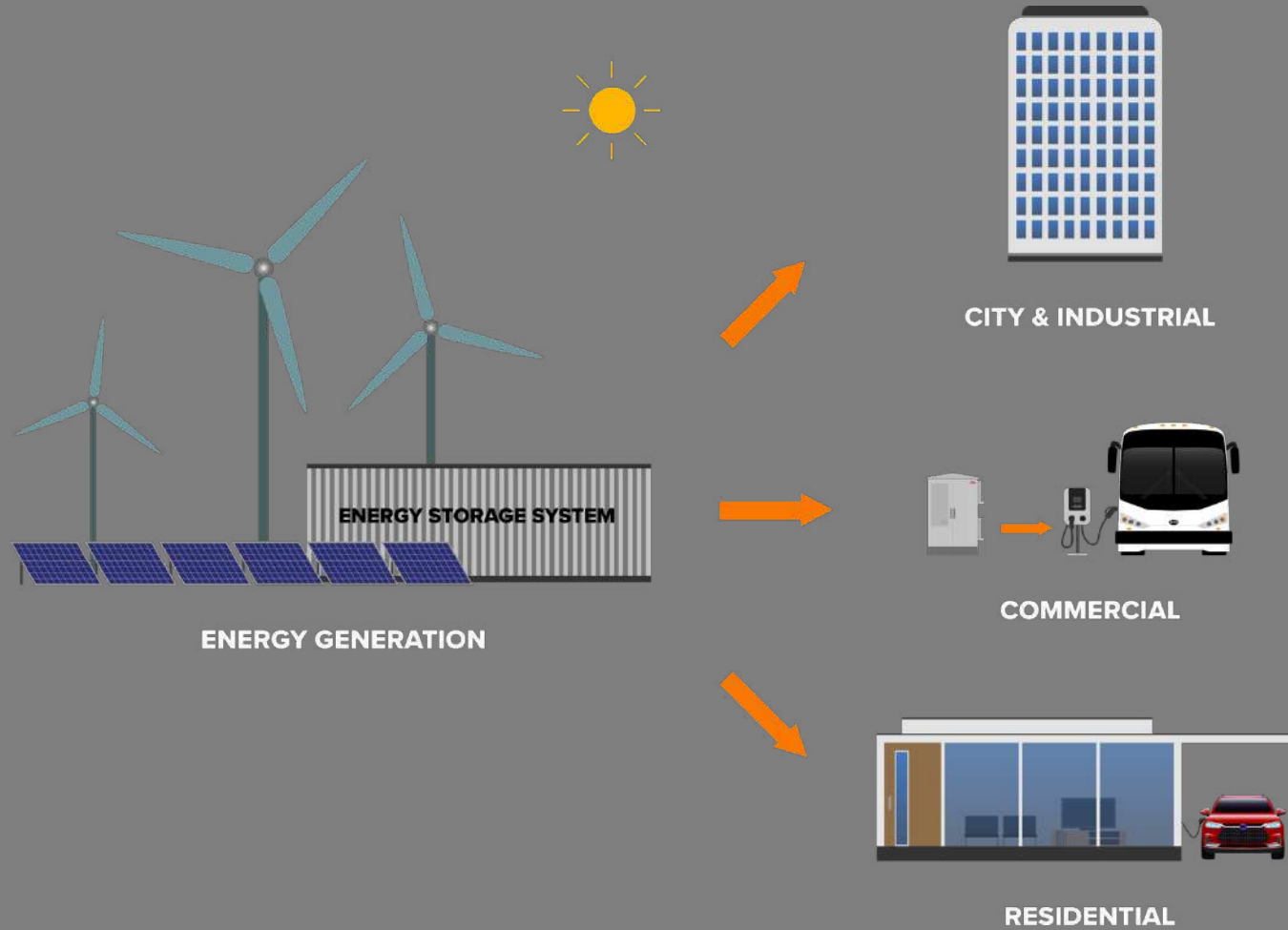
BYD's stock is publicly traded, with Warren Buffett's Berkshire Hathaway Energy, based in Nebraska, among the largest shareholders.

The company has been privately owned since its founding in 1995 as a battery manufacturer.



**550,000 Square-Foot EV Manufacturing Space**  
**Lancaster, California**





A PIONEER IN CLEAN ENERGY TECHNOLOGY, BYD OFFERS THE TOOLS TO CAPTURE ENERGY FROM THE SUN, TO STORE IT IN BATTERIES AND THEN TO USE IT IN ELECTRIC VEHICLES.



# 2020 BYD ALTOONA TESTING UPDATE



K7M 30ft



K9S 35ft



K11M 60ft



K9M 40ft



C10M 45ft



C6M 23ft



C8M 35ft



C8MS 35ft



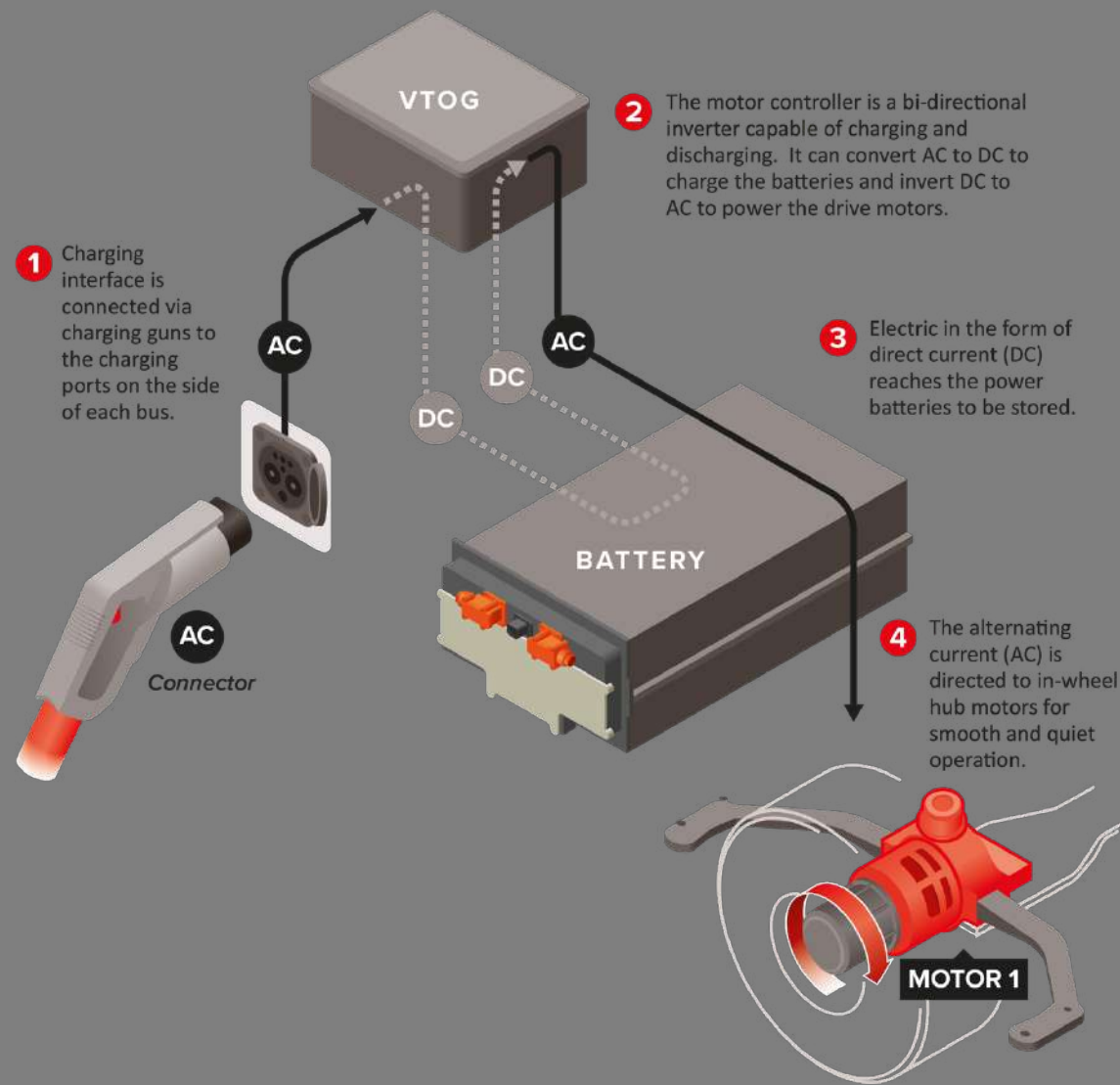
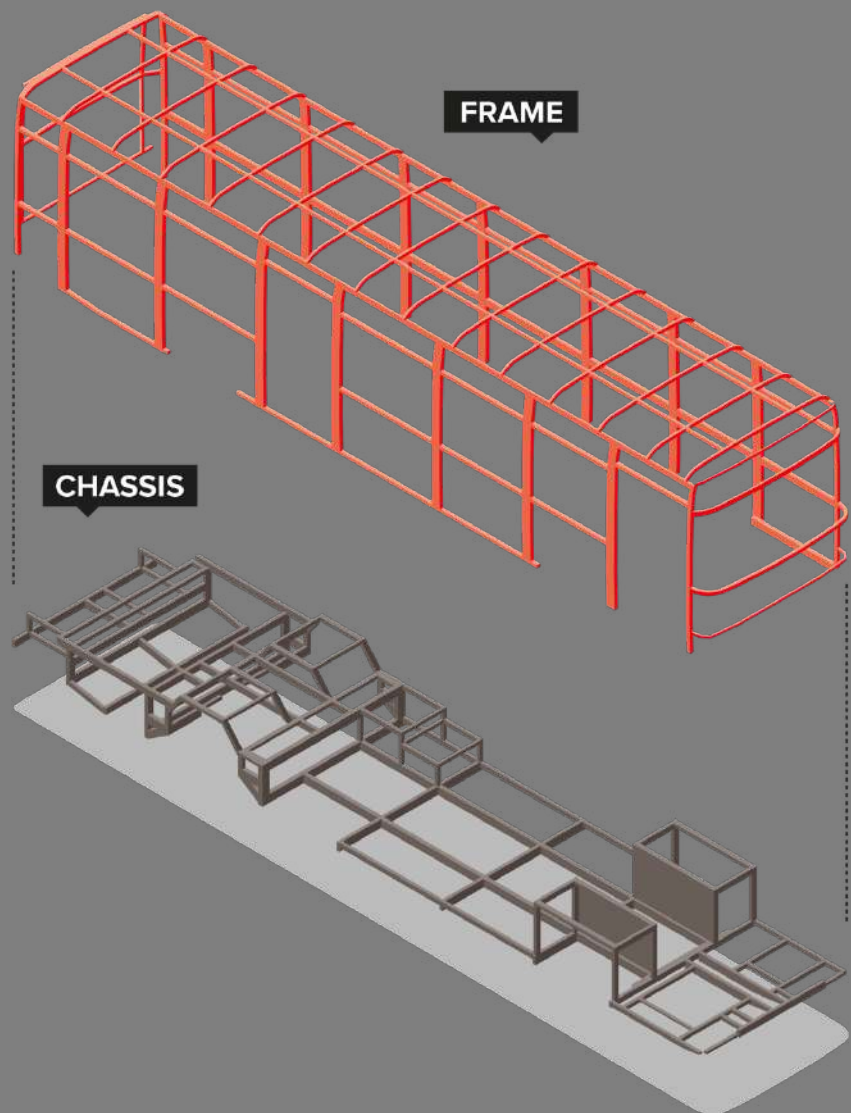
C9M 40ft

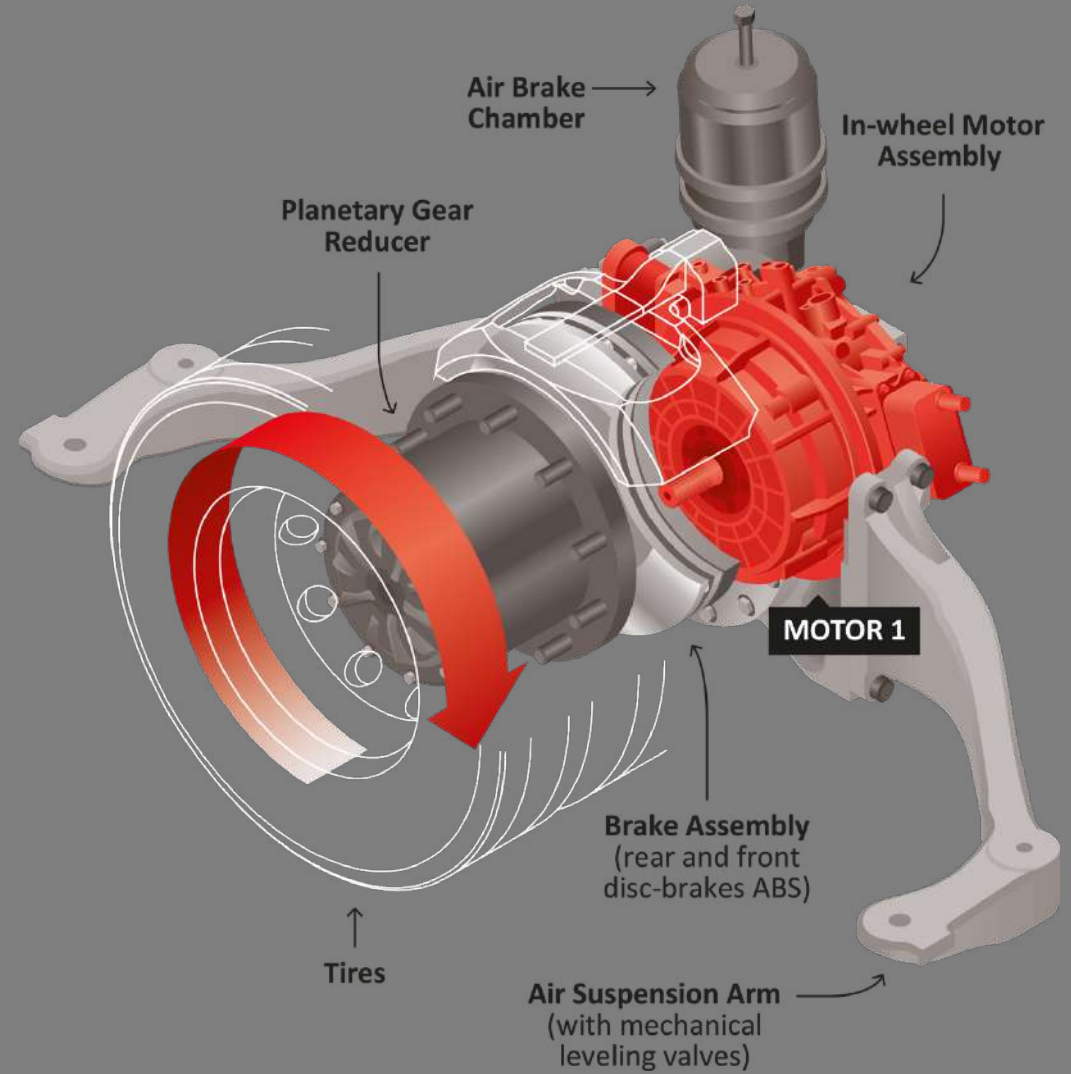
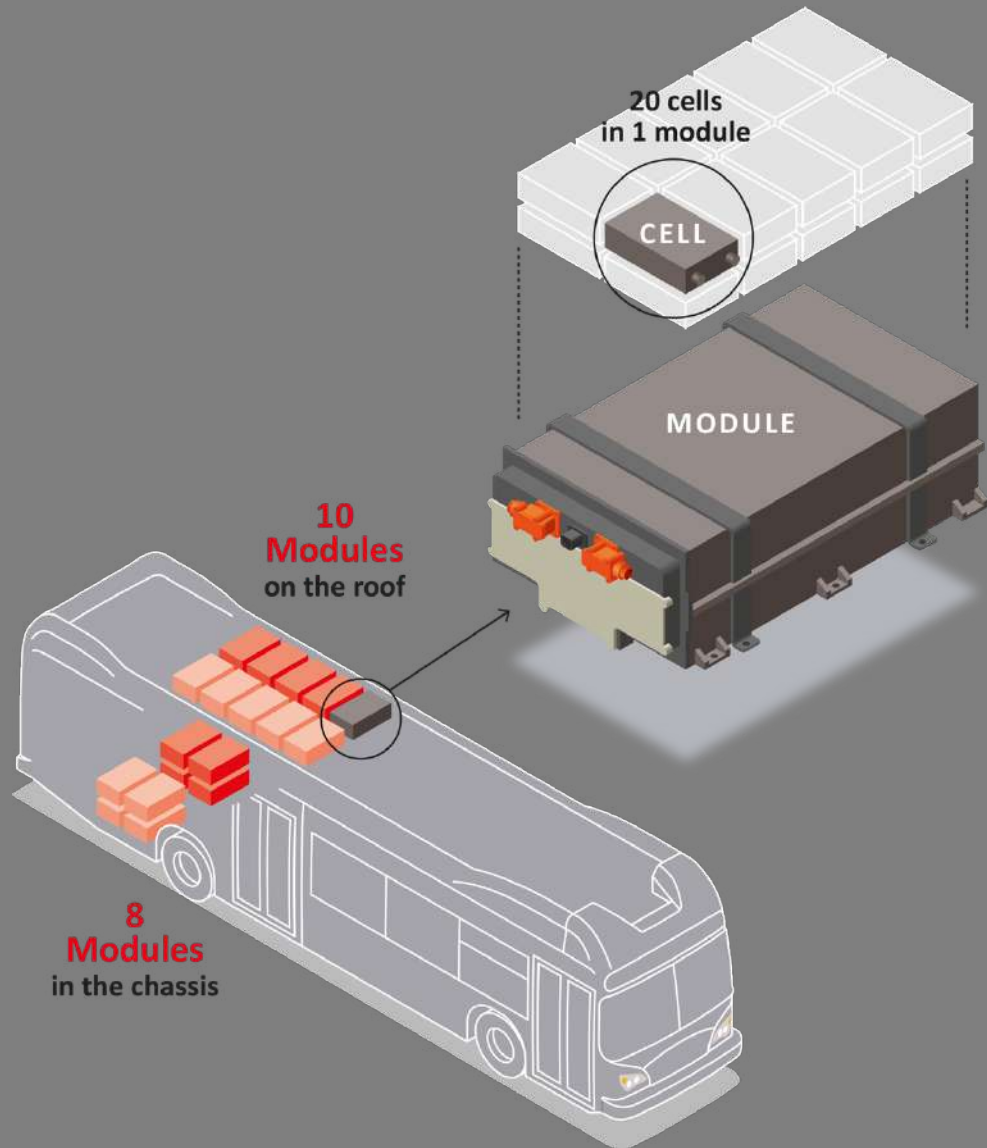


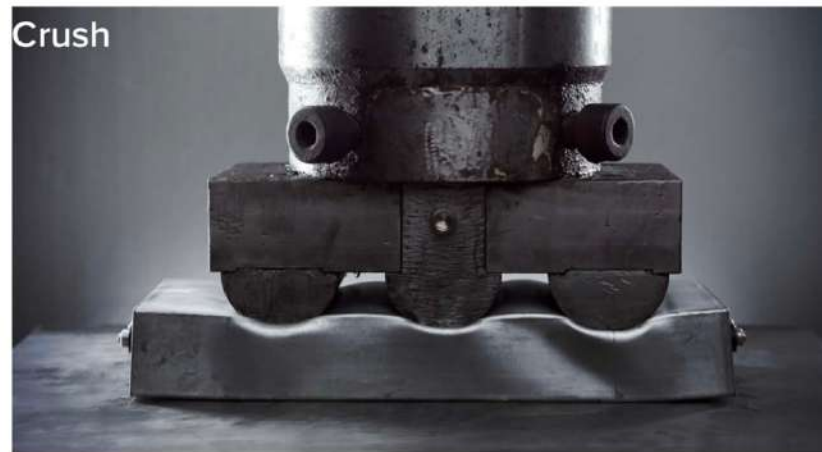
C10MS 45ft



WITH MORE THAN 12 MODELS RANGING FROM 23' TO 60'. ANY BUS IN YOUR FLEET CAN BE ELECTRIFIED







BYD BATTERIES ARE RIGOROUSLY TESTED AND REMAIN STABLE IN EVEN THE MOST EXTREME CONDITIONS, GUARANTEEING THE SAFETY OF PASSENGERS AND DRIVERS

12-YEAR BATTERY WARRANTY



BYD'S BEST-IN-CLASS WARRANTY ENSURES THAT YOU WILL NEVER HAVE TO PAY FOR BATTERY REPLACEMENT DURING THE SERVICE LIFE OF YOUR VEHICLES



## AC/DC PLUG IN

- AC PLUG IN
  - ON-BOARD CHARGER INCLUDED IN BUS
  - UP TO 200 KW
- DC Plug In
  - SAE J1772
  - UP TO 500 KW



## OVERHEAD

- SAE J3105
- ON-ROUTE CHARGING FOR EXTENDED RANGE FLEET OPERATION
- UP TO 450 KW



## WIRELESS

- SAE J2954
- SCALABLE AND FLEXIBLE FOR EXTENDED RANGE FLEET OPERATION
- UP TO 300 KW



Depot charging is as simple as plugging in an electric car. BYD works with clients to determine the number and type of chargers needed as well as the energy infrastructure required for the system. BYD's experts support the client throughout planning and execution.

## INVENERY

RUPERT, WEST VIRGINIA

FREQUENCY REGULATION  
31.5 MW, 12.1 MWh

## UCSD

SAN DIEGO, CALIFORNIA

MICRO GRID, PEAK SHAVING  
2.5 MW, 5MWh

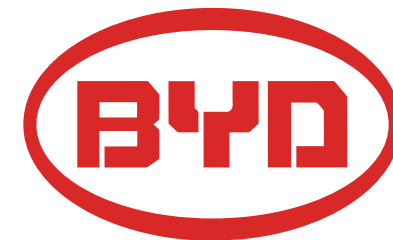




# REPEAT CUSTOMERS



BYD HAS RECEIVED MORE THAN 20 REPEAT ORDERS FROM NORTH AMERICAN CUSTOMERS SINCE



THANK YOU

*Build Your Dreams<sup>®</sup>*